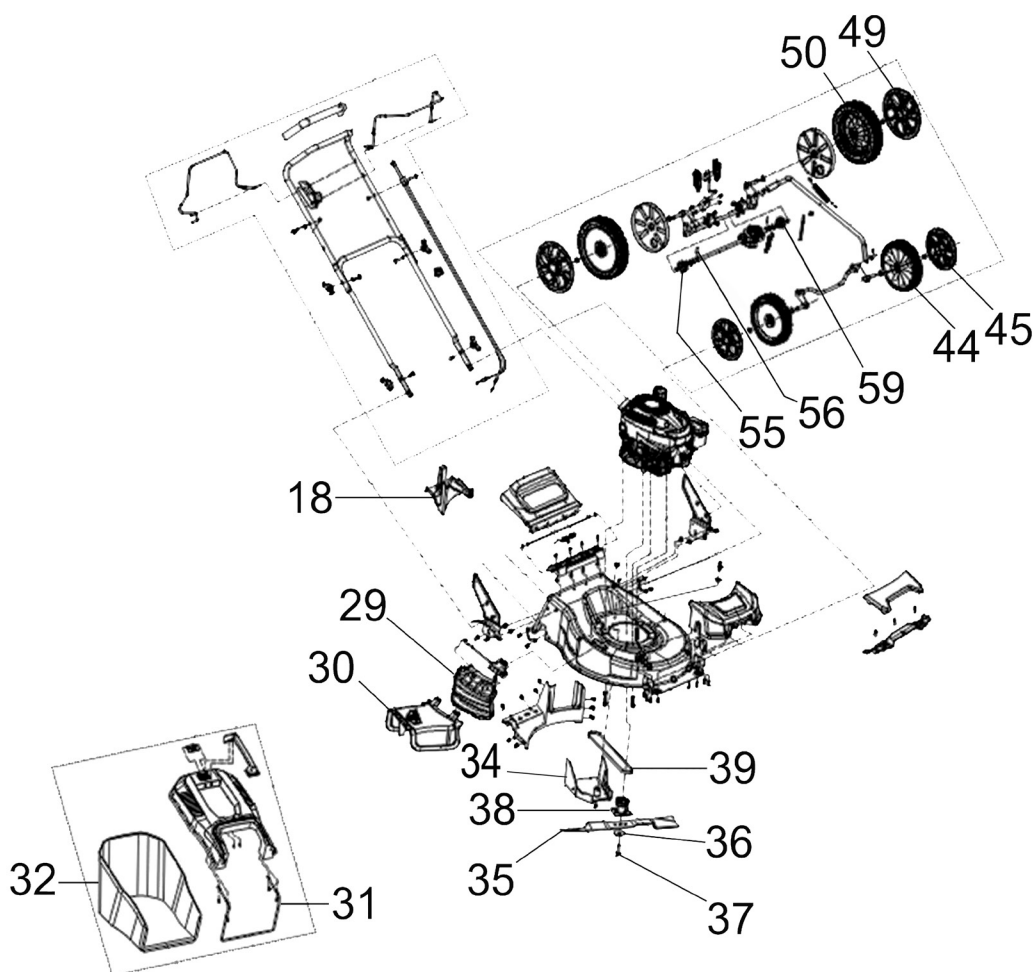




Parts Information:
**Dellonda Self-Propelled Petrol Lawnmower
 Grass Cutter with Height Adjustment &
 Grass Bag 170cc 20"/51cm 4-Stroke Engine
 Model No: DG102.V3**



Item	Part No.	Description
18	DG11139	Rear Mulching Plug
29	DG11140	Side Deflector
30	DG11141	Side Discharge Chute
31	DG11142	Grass Box Support
32	DG11143	Grass Box
35	DG11144	Blade
36	DG11145	Disc Washer
37	DG11146	Blade Bolt
38	DG11147	Blade Adapter
39	DG11148	Drive Belt
44	DG11149	Wheel
45	DG11150	Wheel Cover

Item	Part No.	Description
49	DG11151	Wheel Cover
50	DG11152	Wheel
55	DG11153	Gear Pinion
56	DG11154	Gear Pinion Pin
59	DG11155	Gear Pinion
--	DG11133	Oil Dipstick (Not Shown)
--	DG11134	Spark Plug (Not Shown)
--	DG11135	Pullcord Assy (Not Shown)
--	DG11136	Ignition Coil (Not Shown)
--	DG11137	Air Cleaner (Not Shown)
--	DG11138	Fuel Cap (Not Shown)

NOTE: It is our policy to continually improve products and as such we reserve the right to alter data, specifications and component parts without prior notice. There may be alternative versions of this product, please contact us should you require this information.

IMPORTANT: No liability is accepted for incorrect use of product. Spare parts must be fitted by a competent person

WARRANTY: Guarantee is 12 months from purchase date, proof of which will be required for any claim.

Jack Sealey Ltd t/a Dellonda,
 Kempson Way, Suffolk Business Park, Bury St Edmunds, Suffolk, IP32 7AR UK
Jack Sealey (EU) Ltd t/a Dellonda,
 Farnley Street, Carrickmacross, Co. Monaghan, A81 PK68 Ireland
 Tel: 01284 757575 • Email: support@dellonda.co.uk • Web: www.dellonda.co.uk